

## Spare parts list

### Hydraulic post drivers

	Valid from serial number
LPD-T	254682
LPD-RV	254686





# Contents

General information.....	5
Spare parts list.....	6
LPD-T.....	6
LPD-RV.....	10
Remote valve.....	14
Tightening torque.....	16
Accessories.....	17
Hoses and couplings.....	17
Adapters.....	18
Kits.....	19
Seal kit.....	19
Label kit.....	20



## General information

This spare parts list applies to the following:

Part number	Description
1801 4040 02	Hydraulic post driver LPD-T
1801 4050 02	Hydraulic post driver LPD-RV

Use only authorized parts. Any damage or malfunction caused by the use of unauthorized parts is not covered by Warranty or Product Liability. Any unauthorized use or copying of the contents or any part thereof is prohibited. This applies in particular to trademarks, model denominations, part numbers, and drawings.

### Instructions for use

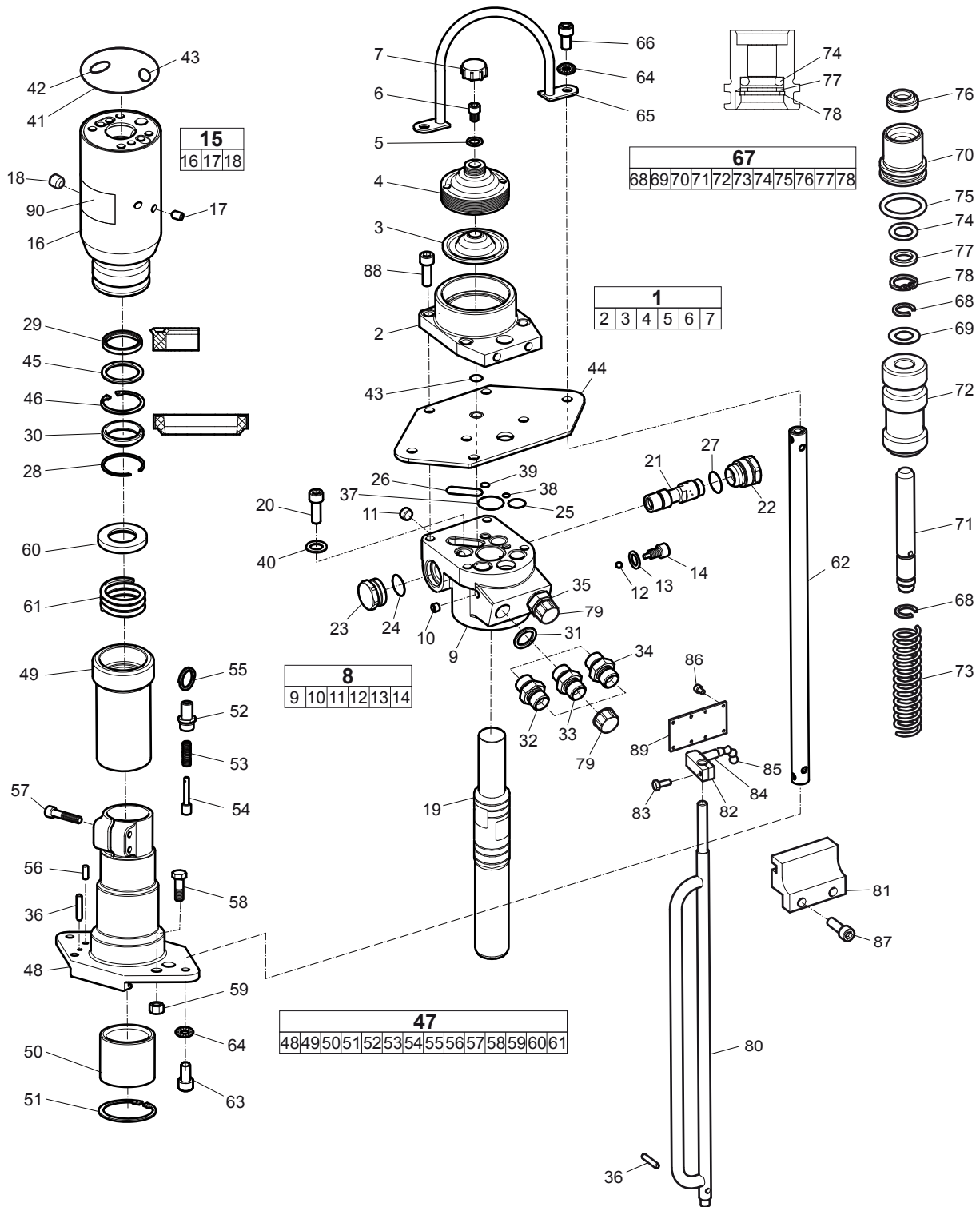
This spare parts list contains no safety regulations and is merely intended to assist in the ordering of spare parts.

For information about operating, servicing, or repairing, the relevant Safety and operating instructions must be consulted at all costs.

Please observe the safety instructions listed in the relevant Safety and operating instructions!

# Spare parts list

## LPD-T



No.	Description	Remark	Quantity	Part number
<b>1(2-7)</b>	<b>Accumulator, complete</b>		1	3371 8210 24
2	Accumulator body		1	3371 8210 27
3	Diaphragm		1	3371 8140 52
4	Accumulator cover		1	3371 8140 66
5	Seal ring	8.7/13 x 1 mm 0.34/0.51 x 0.039 in.	1	3371 8147 09
6	Charging screw		1	3371 8131 03
7	Protective nut	M24 x 1.5 mm	1	3376 1170 71
<b>8(9-14)</b>	<b>Valve housing, complete</b>		1	3371 8210 64
9	Valve housing		1	-
10	Fitting 02	Use LOCTITE® 245™	4	3371 8147 33
11	Fitting 04	Use LOCTITE® 245™	2	3371 8131 41
12	Ball		1	3371 8207 17
13	Seal ring	9/14 x 1 mm 0.35/0.55 x 0.039 in.	1	3371 8207 18
14	Check valve screw		1	3371 8201 15
<b>15(16-18)</b>	<b>Cylinder, complete</b>		1	3371 8210 63
16	Cylinder		1	-
17	Fitting 02	Use LOCTITE® 245™	2	3371 8147 33
18	Fitting 04	Use LOCTITE® 245™	1	3371 8131 41
19	Piston		1	3371 8211 32
20	Screw	M10 x 35 mm, Use LOCTITE® 245™	4	3371 8147 23
21	Spool		1	3371 8211 33
22	Guide socket		1	3371 8211 34
23	Spool socket		1	3371 8202 67
24	O-ring	24 x 1.5 mm 0.94 x 0.06 in.	1	3371 8207 02
25	O-ring	18 x 2 mm 0.71 x 0.08 in.	4	3371 8207 03
26	O-ring	32 x 2 mm 1.26 x 0.08 in.	1	3371 8207 05
27	O-ring	25.12 x 1.78 mm 0.99 x 0.07 in.	1	3371 8207 62
28	Locking ring		1	3371 8207 40
29	Seal	32/40 x 6 mm 1.26/1.57 x 0.24 in.	1	3371 8201 76
30	Wiper	32/45 x 7/10 mm 1.26/1.77 x 0.28/0.39 in.	1	3371 8207 08
31	Seal ring	½ in. BSP	2	3371 8057 14
32	Nipple	(T) for 30 l/min, ½ in. BSP	1	3371 8057 11
33	Nipple	(T) for 25 l/min, ½ in. BSP	1	3371 8180 13
34	Nipple	(T) for 20 l/min, ½ in. BSP	1	3371 8180 20
35	Nipple	(P) for 20–30 l/min, ½ in. BSP	1	3371 8057 11
36	Roll pin	6 x 30 mm 0.24 x 1.18 in.	2	3371 8207 31
37	O-ring	30 x 2 mm 1.18 x 0.08 in.	1	3371 8207 04
38	O-ring	6 x 2 mm 0.24 x 0.08 in.	1	3371 8177 57
39	O-ring	8 x 2 mm 0.31 x 0.08 in.	1	3376 1000 84
40	Back-up washer		4	3371 8157 35
41	O-ring	82 x 1.5 mm 3.23 x 0.06 in.	1	3371 8207 25
42	O-ring	16 x 1.5 mm 0.63 x 0.06 in.	1	3371 8207 26

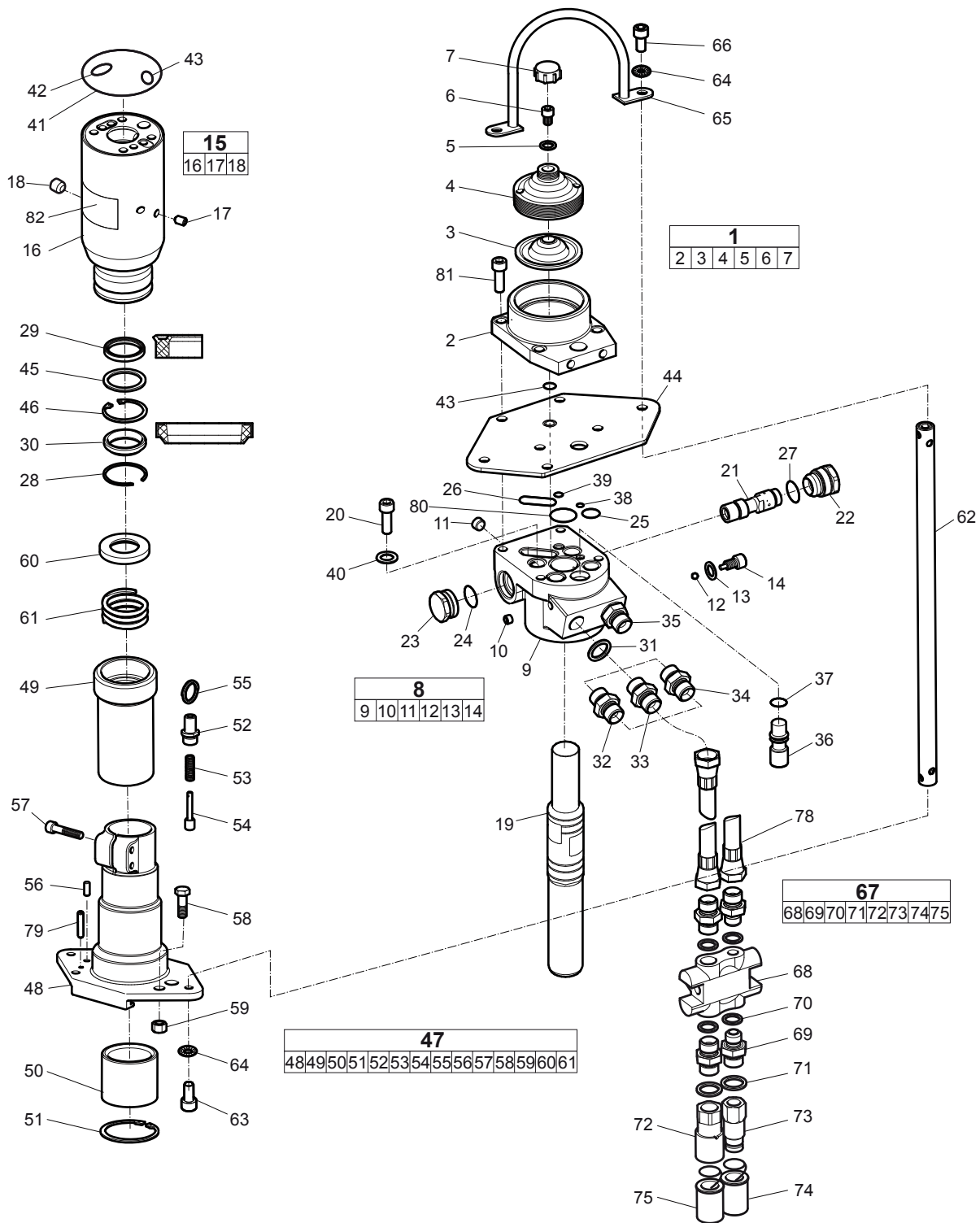
No.	Description	Remark	Quantity	Part number
43	O-ring	13 x 1.5 mm 0.51 x 0.06 in.	2	3371 8147 49
44	Top plate		1	3371 8202 81
45	Back-up washer	32.7/45 x 2.5 mm 1.29/1.77 x 0.10 in.	1	3371 8201 67
46	Locking ring		1	3371 8207 27
<b>47(48-61)</b>	<b>Nose part, complete</b>		1	3371 8210 34
48	Nose part		1	3371 8202 82
49	Anvil		1	3371 8202 83
50	Bushing		1	3371 8202 84
51	Locking ring	80 mm 3.15 in.	1	3371 8207 59
52	Pin housing		1	3371 8202 85
53	Spring		1	3371 8202 86
54	Lock pin		1	3371 8202 87
55	Split ring		1	3371 8207 56
56	Roll pin	8 x 20 mm 0.31 x 0.79 in.	1	3371 8207 57
57	Screw	M10 x 55 mm, Use LOCTITE® 245™	2	3371 8147 24
58	Screw	M12 x 35 mm	1	3371 8167 00
59	Nut	M12	1	3371 8167 02
60	Washer	From serial no. 253108 -	1	3371 8211 36
61	Spring	From serial no. 253108 -	1	3371 8211 35
62	Handle		2	3371 8202 88
63	Screw	M10 x 20 mm, Use LOCTITE® 245™	2	3371 8147 28
64	Washer	10 mm 0.39 in.	4	3377 1000 10
65	Lifting bracket		1	3371 8202 94
66	Screw	M10 x 20 mm, Use LOCTITE® 245™	2	3371 8177 21
<b>67(68-78)</b>	<b>Trigger valve, complete</b>		1	3371 8200 53
68	Circlip		2	3371 8147 32
69	Shim	PS 8 x 14 x 0.5 mm 0.31 x 0.55 x 0.02 in.	1	3371 8207 00
70	Trigger spool		1	3371 8201 08
71	Trigger rod		1	3371 8201 36
72	Packing gland		1	3371 8141 20
73	Spring		1	3371 8201 37
74	O-ring	8.3 x 2.4 mm 0.33 x 0.09 in.	1	3371 8147 00
75	O-ring	16.3 x 2.4 mm 0.64 x 0.09 in.	1	3371 8147 02
76	Seal	18/14 x 3.5/5 mm 0.71/0.55 x 0.14/0.20 in.	1	3371 8055 03
77	Back-up ring		1	3371 8147 01
78	Circlip		1	3371 8147 12
79	Protective cap	½ in. BSP	2	3371 8137 09
80	Trigger lever		1	3371 8202 89
81	Trigger housing		1	3371 8202 90
82	Trigger		1	3371 8202 92
83	Screw	M6 x 15 mm	1	3371 8177 26
84	Cylinder pin	9.53 x 25.4 mm 3/8 x 1 in.	1	3371 8207 60
85	Ball	9.53 mm 3/8 in.	4	3371 8207 58
86	Screw	M5 x 8 mm	4	3377 0004 18
87	Screw	M10 x 30 mm, Use LOCTITE® 245™	2	3371 8177 20



No.	Description	Remark	Quantity	Part number
88	Screw	M10 x 35 mm, Use LOCTITE® 245™	4	3371 8147 23
89	Trigger plate		1	3371 8202 91
90	Data plate		1	-

LOCTITE is a registered trademark of Henkel Corporation. 245 are trademarks of Henkel Corporation.

# LPD-RV



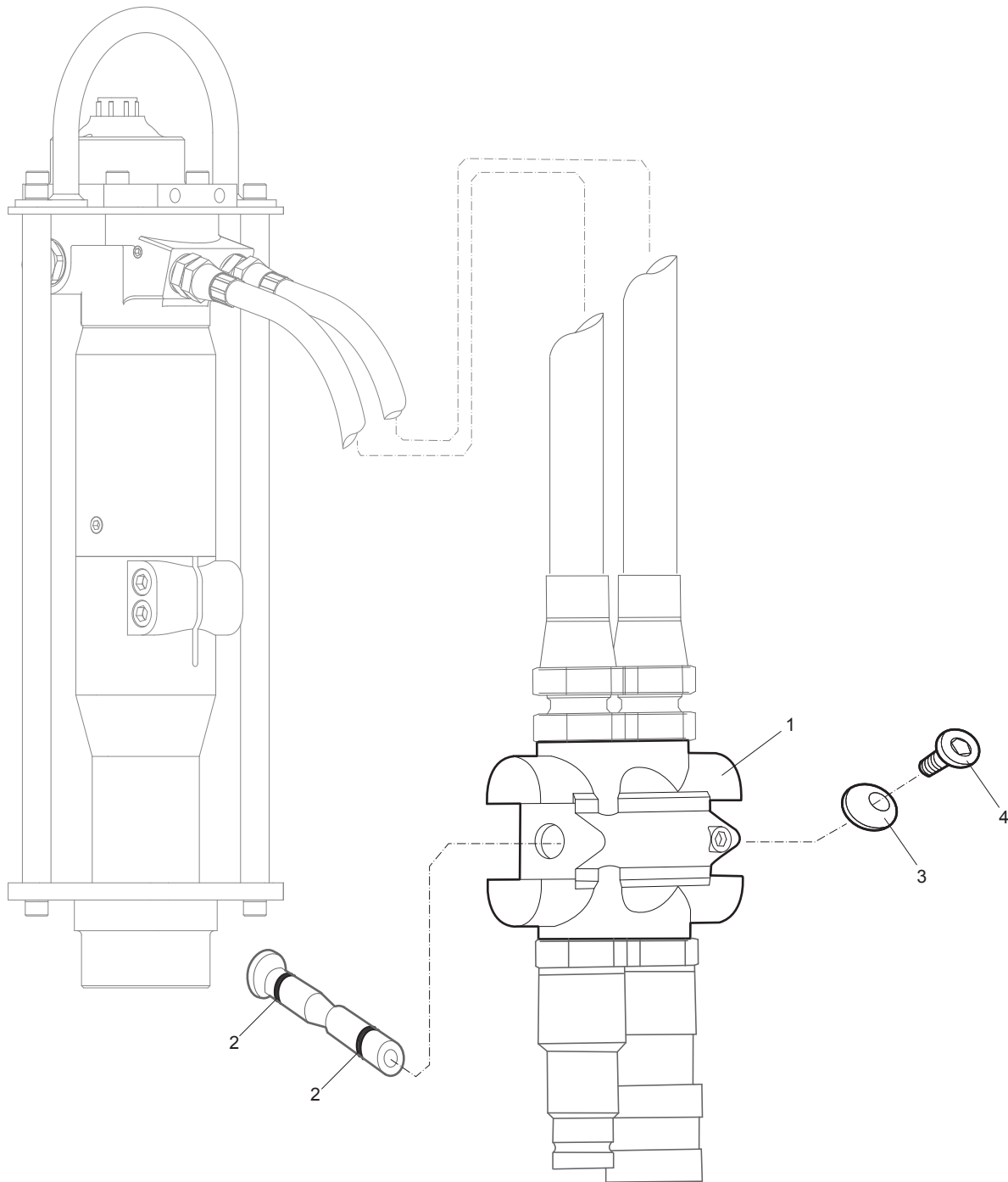
No.	Description	Remark	Quantity	Part number
<b>1(2-7)</b>	<b>Accumulator, complete</b>		1	3371 8210 24
2	Accumulator body		1	3371 8210 27
3	Diaphragm		1	3371 8140 52
4	Accumulator cover		1	3371 8140 66
5	Seal ring	8.7/13 x 1 mm 0.34/0.51 x 0.039 in.	1	3371 8147 09
6	Charging screw		1	3371 8131 03
7	Protective nut	M24 x 1.5 mm	1	3376 1170 71
<b>8(9-14)</b>	<b>Valve housing, complete</b>		1	3371 8210 64
9	Valve housing		1	-
10	Fitting 02	Use LOCTITE® 245™	4	3371 8147 33
11	Fitting 04	Use LOCTITE® 245™	2	3371 8131 41
12	Ball		1	3371 8207 17
13	Seal ring	9/14 x 1 mm 0.35/0.55 x 0.039 in.	1	3371 8207 18
14	Check valve screw		1	3371 8201 15
<b>15(16-18)</b>	<b>Cylinder, complete</b>		1	3371 8210 63
16	Cylinder		1	-
17	Fitting 02	Use LOCTITE® 245™	2	3371 8147 33
18	Fitting 04	Use LOCTITE® 245™	1	3371 8131 41
19	Piston		1	3371 8211 32
20	Screw	M10 x 35 mm, Use LOCTITE® 245™	4	3371 8147 23
21	Spool		1	3371 8211 33
22	Guide socket		1	3371 8211 34
23	Spool socket		1	3371 8202 67
24	O-ring	24 x 1.5 mm 0.94 x 0.06 in.	1	3371 8207 02
25	O-ring	18 x 2 mm 0.71 x 0.08 in.	4	3371 8207 03
26	O-ring	32 x 2 mm 1.26 x 0.08 in.	1	3371 8207 05
27	O-ring	25.12 x 1.78 mm 0.99 x 0.07 in.	1	3371 8207 62
28	Locking ring		1	3371 8207 40
29	Seal	32/40 x 6 mm 1.26/1.57 x 0.24 in.	1	3371 8201 76
30	Wiper	32/45 x 7/10 mm 1.26/1.77 x 0.28/0.39 in.	1	3371 8207 08
31	Seal ring	½ in. BSP	2	3371 8057 14
32	Nipple	(T) for 30 l/min, ½ in. BSP	1	3371 8057 11
33	Nipple	(T) for 25 l/min, ½ in. BSP	1	3371 8180 13
34	Nipple	(T) for 20 l/min, ½ in. BSP	1	3371 8180 20
35	Nipple	(P) for 20-30 l/min, ½ in. BSP	1	3371 8057 11
36	Trigger valve	Constant activated	1	3371 8202 40
37	O-ring	16.3 x 2.4 mm 0.64 x 0.09 in.	1	3371 8147 02
38	O-ring	6 x 2 mm 0.24 x 0.08 in.	1	3371 8177 57
39	O-ring	8 x 2 mm 0.31 x 0.08 in.	1	3376 1000 84
40	Back-up washer		4	3371 8157 35
41	O-ring	82 x 1.5 mm 3.23 x 0.06 in.	1	3371 8207 25
42	O-ring	16 x 1.5 mm 0.63 x 0.06 in.	1	3371 8207 26
43	O-ring	13 x 1.5 mm 0.51 x 0.06 in.	2	3371 8147 49

No.	Description	Remark	Quantity	Part number
44	Top plate		1	3371 8202 81
45	Back-up washer	32.7/45 x 2.5 mm 1.29/1.77 x 0.10 in.	1	3371 8201 67
46	Locking ring		1	3371 8207 27
<b>47(48-61)</b>	<b>Nose part, complete</b>		1	3371 8210 34
48	Nose part		1	-
49	Anvil		1	3371 8202 83
50	Bushing		1	3371 8202 84
51	Locking ring	80 mm 3.15 in.	1	3371 8207 59
52	Pin housing		1	3371 8202 85
53	Spring		1	3371 8202 86
54	Lock pin		1	3371 8202 87
55	Split ring		1	3371 8207 56
56	Roll pin	8 x 20 mm 0.31 x 0.79 in.	1	3371 8207 57
57	Screw	M10 x 55 mm, Use LOCTITE® 245™	2	3371 8147 24
58	Screw	M12 x 35 mm	1	3371 8167 00
59	Nut	M12	1	3371 8167 02
60	Washer	From serial no. 253108 -	1	3371 8211 36
61	Spring	From serial no. 253108 -	1	3371 8211 35
62	Handle		2	3371 8202 88
63	Screw	M10 x 20 mm, Use LOCTITE® 245™	2	3371 8147 28
64	Washer	10 mm 0.39 in.	4	3377 1000 10
65	Lifting bracket		1	3371 8202 94
66	Screw	M10 x 20 mm, Use LOCTITE® 245™	2	3371 8177 21
<b>67(68-75)</b>	<b>On/off valve, complete</b>		1	3371 8210 43
68	On/off valve		1	-
69	Nipple	¾ in. BSP M – ½ in. BSP M	4	3377 0004 32
70	Seal ring	¾ in. BSP	4	3377 0163 75
71	Seal ring	½ in. BSP	2	3371 8057 14
72	Quick-release coupling	Female	1	3371 8051 33
73	Quick-release coupling	Male	1	3371 8051 34
74	Protective cap	Male, for QRC	1	3371 8057 32
75	Protective cap	Female, for QRC	1	3371 8057 33
78	Tail hose	1.8 mm 0.07 in.	2	3371 8030 68
79	Roll pin	6 x 30 mm 0.24 x 1.18 in.	2	3371 8207 31
80	O-ring	30 x 2 mm 1.18 x 0.08 in.	1	3371 8207 04
81	Screw	M10 x 35 mm, Use LOCTITE® 245™	4	3371 8147 23
82	Data plate		1	-

LOCTITE is a registered trademark of Henkel Corporation. 245 are trademarks of Henkel Corporation.



# Remote valve



No.	Description	Remark	Quantity	Part number
1	Remote valve		1	3371 8210 43
2	O-ring		2	3371 8217 06
3	Button		2	3371 8211 44
4	Screw		2	3371 8177 64

## Tightening torque

### LPD-T

No.	Description	Tightening torque (Nm)	Remark	Part number
20	Screw	80	LOCTITE® 245™	3371 8147 23
88	Screw	70	LOCTITE® 245™	3371 8147 23
22	Guide socket	100	LOCTITE® 245™	3371 8211 34
23	Spool socket	100	LOCTITE® 245™	3371 8202 67
32	Nipple	55	(T)	3371 8057 11
33	Nipple	55	(T)	3371 8180 13
34	Nipple	55	(T)	3371 8180 20
35	Nipple	55	(P)	3371 8057 11
57	Screw	60	LOCTITE® 245™	3371 8147 24
66	Screw	60	LOCTITE® 245™	3371 8177 21

### LPD-RV

No.	Description	Tightening torque (Nm)	Remark	Part number
20	Screw	80	LOCTITE® 245™	3371 8147 23
81	Screw	70	LOCTITE® 245™	3371 8147 23
22	Guide socket	100	LOCTITE® 245™	3371 8211 34
23	Spool socket	100	LOCTITE® 245™	3371 8202 67
32	Nipple	55	(T)	3371 8057 11
33	Nipple	55	(T)	3371 8180 13
34	Nipple	55	(T)	3371 8180 20
35	Nipple	55	(P)	3371 8057 11
57	Screw	60	LOCTITE® 245™	3371 8147 24
66	Screw	60	LOCTITE® 245™	3371 8177 21
68	Nipple	40		3371 8203 02
70	Nipple	40		3371 8203 03

LOCTITE is a registered trademark of Henkel Corporation. 245 are trademarks of Henkel Corporation.

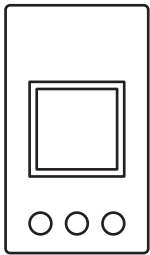


# Accessories

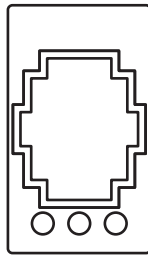
## Hoses and couplings

Description	Remark	Quantity	Part number
<b>Connection hose, complete</b>	Ø ½ in. L = 16 in. Ø 12.5 mm L = 0.4 m	1	3371 8010 83
Hose	Ø ½ in. L = 16 in. Ø 12.5 mm L = 0.4 m	2	3371 8030 50
Seal ring	Bonded seal ½ in. BSP	2	3371 8057 14
Quick-release coupling	Female ½ in. BSP	1	3371 8051 33
Quick-release coupling	Male ½ in. BSP	1	3371 8051 34
Protective cap	Female	1	3371 8057 33
Protective cap	Male	1	3371 8057 32
<b>Twin hose, complete</b>	Ø ½ in. L = 276 in. Ø 12.5 mm L = 7 m	1	3371 8010 87
Seal ring	Bonded seal ½ in. BSP	4	3371 8057 14
Quick-release coupling	Female ½ in. BSP	2	3371 8051 33
Quick-release coupling	Male ½ in. BSP	2	3371 8051 34
Protective cap	Female	2	3371 8057 33
Protective cap	Male	2	3371 8057 32
Twin hose	Ø ½ in. L = 276 in. Ø 12.5 mm L = 7 m	1	3371 8030 52
<b>Connection hose, complete</b>	Ø ½ in. L = 62 in. Ø 12.5 mm L = 1.6 m	1	3371 8011 90
Hose	Ø ½ in. L = 62 in. Ø 12.5 mm L = 1.6 m	2	3371 8030 64
Seal ring	Bonded seal ½ in. BSP	2	3371 8057 14
Quick-release coupling	Female ½ in. BSP	1	3371 8051 33
Quick-release coupling	Male ½ in. BSP	1	3371 8051 34
Protective cap	Female	1	3371 8057 33
Protective cap	Male	1	3371 8057 32
Label "P"	Pressure side	1	3371 8021 15

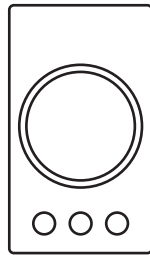
## Adapters



1



2



3

No.	Description	Adaptor size	Weight	Comments	Part number
1	Square	54 mm 2.13 in.	2.0 kg 4.4 lb		3371 8060 32
2	Universal (round/square)	63 mm 2.48 in.	1.6 kg 3.5 lb	Max. dimensions 102 x 70 mm 4 x 2 ¾ in.	3371 8060 33
3	Round	Ø96 mm Ø3.78 in.	1.4 kg 3.1 lb		3371 8060 34

# Kits

## Seal kit

Description	Remark	Quantity	Part number
Seal kit		1	3371 8200 90
Seal ring	8.7/13 x 1 mm 0.34/0.51 x 0.039 in.	1	3371 8147 09
O-ring	24 x 1.5 mm 0.94 x 0.06 in.	1	3371 8207 02
O-ring	18 x 2 mm 0.71 x 0.08 in.	4	3371 8207 03
O-ring	30 x 2 mm 1.18 x 0.08 in.	1	3371 8207 04
O-ring	32 x 2 mm 1.26 x 0.08 in.	1	3371 8207 05
O-ring	25.12 x 1.78 mm 0.99 x 0.07 in.	1	3371 8207 62
Locking ring		1	3371 8207 40
Seal	32/40 x 6 mm 1.26/1.57 x 0.24 in.	1	3371 8201 76
Wiper	32/45 x 7/10 mm 1.26/1.77 x 0.28/0.39 in.	1	3371 8207 08
Seal ring	½ in. BSP	2	3371 8057 14
Circlip		2	3371 8147 32
Shim	PS 8 x 14 x 0.5 mm 0.31 x 0.55 x 0.02 in.	1	3371 8207 00
O-ring	8.3 x 2.4 mm 0.33 x 0.09 in.	1	3371 8147 00
O-ring	16.3 x 2.4 mm 0.64 x 0.09 in.	1	3371 8147 02
Seal	18/14 x 3.5/5 mm 0.71/0.55 x 0.14/0.20 in.	1	3371 8055 03
Back-up ring		1	3371 8147 01
Circlip		1	3371 8147 12
O-ring	6 x 2 mm 0.24 x 0.08 in.	1	3371 8177 57
O-ring	8 x 2 mm 0.31 x 0.08 in.	1	3376 1000 84
Seal ring	9/14 x 1 mm 0.35/0.55 x 0.039 in.	1	3371 8207 18
O-ring	82 x 1.5 mm 3.23 x 0.06 in.	1	3371 8207 25
O-ring	16 x 1.5 mm 0.63 x 0.06 in.	1	3371 8207 26
O-ring	13 x 1.5 mm 0.51 x 0.06 in.	2	3371 8147 49
Back-up washer	32.7/45 x 2.5 mm 1.29/1.77 x 0.10 in.	1	3371 8201 67
Locking ring		1	3371 8207 27

## Label kit

Description	Remark	Quantity	Part number
<b>Label kit</b>		1	3371 8212 56
Safety label		1	3371 8960 61
Label	N2	1	3371 8960 62
Product label	"Atlas Copco"	1	3371 8960 97
Product label	"LPD-T"	1	3371 8970 82
Noise level label		1	3371 8960 03
Product label	"LPD-RV"	1	3371 8970 83









Any unauthorized use or copying of the contents or any part thereof is prohibited.  
This applies in particular to trademarks, model denominations, part numbers, and drawings.

© 2013 Atlas Copco Construction Tools AB | No. 3392 5037 01f | 2013-10-23